



Base Cube & Base Cube Duo

The Base Cube and Base Cube Duo range are some of the most robust condensing boilers on the market.

Base Cube

The Base Cube is one of the most efficient condensing combi boilers on the market. With its unique 'Coiled' heat exchanger and far fewer parts, our extremely efficient boilers are an ideal choice.

The innovative Base Cube heat exchanger consists of 2 independent circuits in the primary heat exchanger. This eliminates the need for a secondary plate heat exchanger and a 3-way valve.

With an exceptional DHW flow rate of 16 litres per minute at 60°C, the Base Cube can fill your bath in just a few minutes.

Base Cube Duo

Offering the same features and benefits of the Base Cube, the Duo has the added advantage of 2 separate central heating (CH) circuits. With a low temperature circuit for underfloor heating and a high temperature for radiators, there's no need for an expensive manifold pump and mixing valve.

COMPATIBLE WITH

Lightwave^{RF}

See Lightwave leaflet for more details

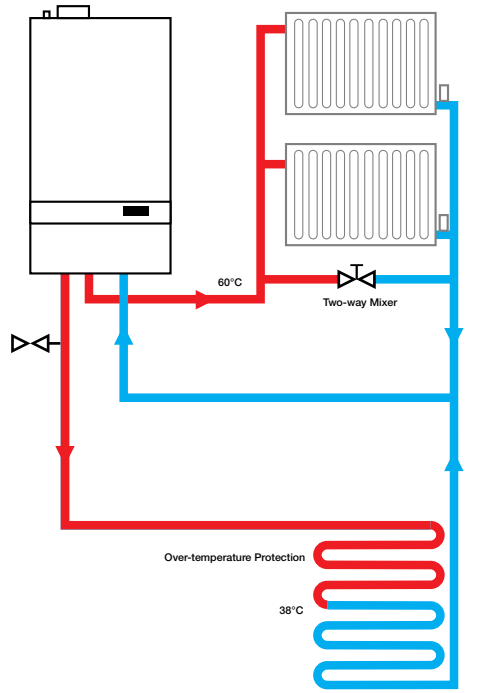


Features

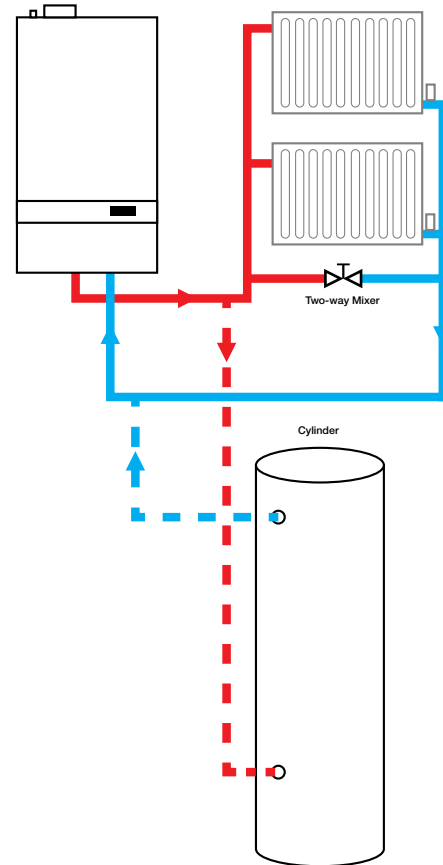
- 5 year warranty
- 2 Separate Heating Circuits (Base Cube Duo only)
- Exceptional Flow Rate - 16ltrs/min @60°C
- 96.1% Efficient in DHW
- 107% Efficient in CH
- NO Secondary Heat Exchanger
- NO 3-Way Valve
- Flexible Installation
- Environmentally Friendly, Energy Saving Boiler
- Low Noise Level
- User Friendly Controls

Sales & Service 01527 834650

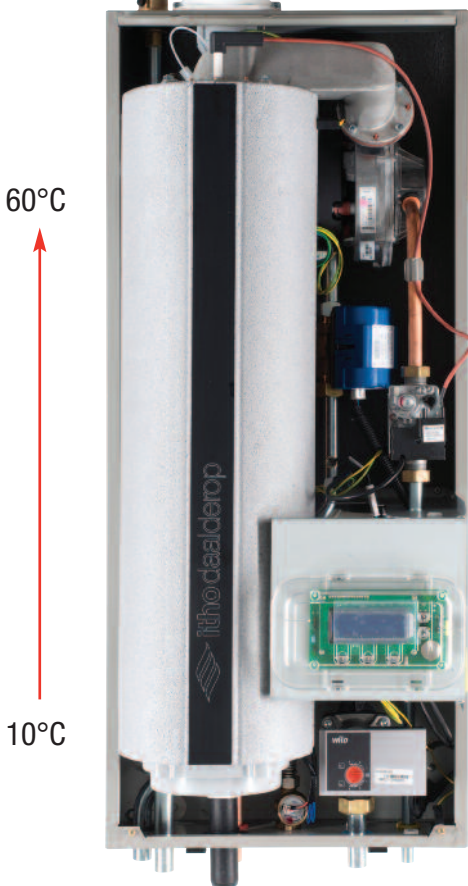
Base Cube & Base Cube Duo



Connecting 2 CH circuits to the Base Cube Duo



Connecting CH circuit to the Base Cube and Cylinder



- 96.1% Hot water efficiency
- Very high efficiency on CH and DHW
- Easy access to components, making it extremely service friendly
- No 3 way valve
- Mains pressure hot water - Pump not required in DHW function
- ECO(Comfort) - DHW control
- Open Therm or On/Off room thermostat
- Integrated weather compensator (OTC)
- Suitable for virtually every installation
- Optional 2nd zone control set connection (Base Cube Duo only)

	Base Cube	Base Cube Duo
Types	30/35	24/35
Nominal CH Power (kW)	6.7 - 30	6.7 - 24
Nominal Power for DHW at 80°C/60°C (kW)	6.7 - 35.5	6.7 - 35.5
Max. Efficiency HR107 (%)	107.2	107.7
Bath Fill Capacity litre/min. (CW-Gaskeur)	15.7	15.7
Weight/installed weight (kg)	40/33.5	40/33.5
Height (mm)	920	920
Width (mm)	400	400
Depth (mm)	370	370

Copyright of all content of this leaflet is vested in Icon Heating Solutions. Any part may not be reproduced without permission. The contents of this leaflet are accurate at the time of printing but because Icon has a policy of continual development it may be superseded and should be disregarded if specifications or appearances are changed. The statutory rights of the customer are not effected. Icon guarantees the quality of its products; our devices are developed and manufactured according to the highest quality standards. We believe in our products and therefore we offer a warranty of a minimum of 2 years (5 years subject to maintaining an annual service and return of warranty card).

Icon Heating Solutions Limited

Basepoint Business Centre, Isidore Road, Bromsgrove B60 3ET. Tel: 01527 834650 Fax: 01527 834601

